



Electric 
design fireplaces



From the beginning, Kalfire's innovative gas and wood fires have been renowned for their beautiful flames and true fire experience. Nothing has greater appeal than the dancing flames, crackling sound and the pleasant warmth of a fire. It brings people together and connects them.

The Kalfire E-one is no different. We created a fire with ultra-realistic flames, zero emissions and without the consumption of fossil fuels. A fire you can place anywhere with endless possibilities. I dare say it is the most beautiful electric fireplace on the market.

Allow yourself to be convinced by visiting one of our exclusive dealers, our Kalfire Experience Centre or our website: kalfire.com/e-one.

Beijko van Melick
CEO Kalfire Fireplaces

E-one

The Kalfire E-one fireplace is powered solely by electricity. With the use of patented technology, flames are projected onto individually hand-painted ceramic logs. It is truly a piece of artistic engineering resulting in an ultra-realistic electric fire experience.

Zero emission



You can now enjoy a sustainable and environmentally friendly fire. The Kalfire E-one is fully electric, does not use any fossil fuels and emits zero emissions.

In addition, the Kalfire E-one has a low energy consumption. This sustainable trend continues right through to the smallest details such as the sustainable packaging and efficient design and assembly process.

With the Kalfire E-one you are not simply choosing an efficient fireplace, but above all, a sustainable, durable and environmentally friendly fire.

DURABILITY & SUSTAINABILITY



Endless possibilities



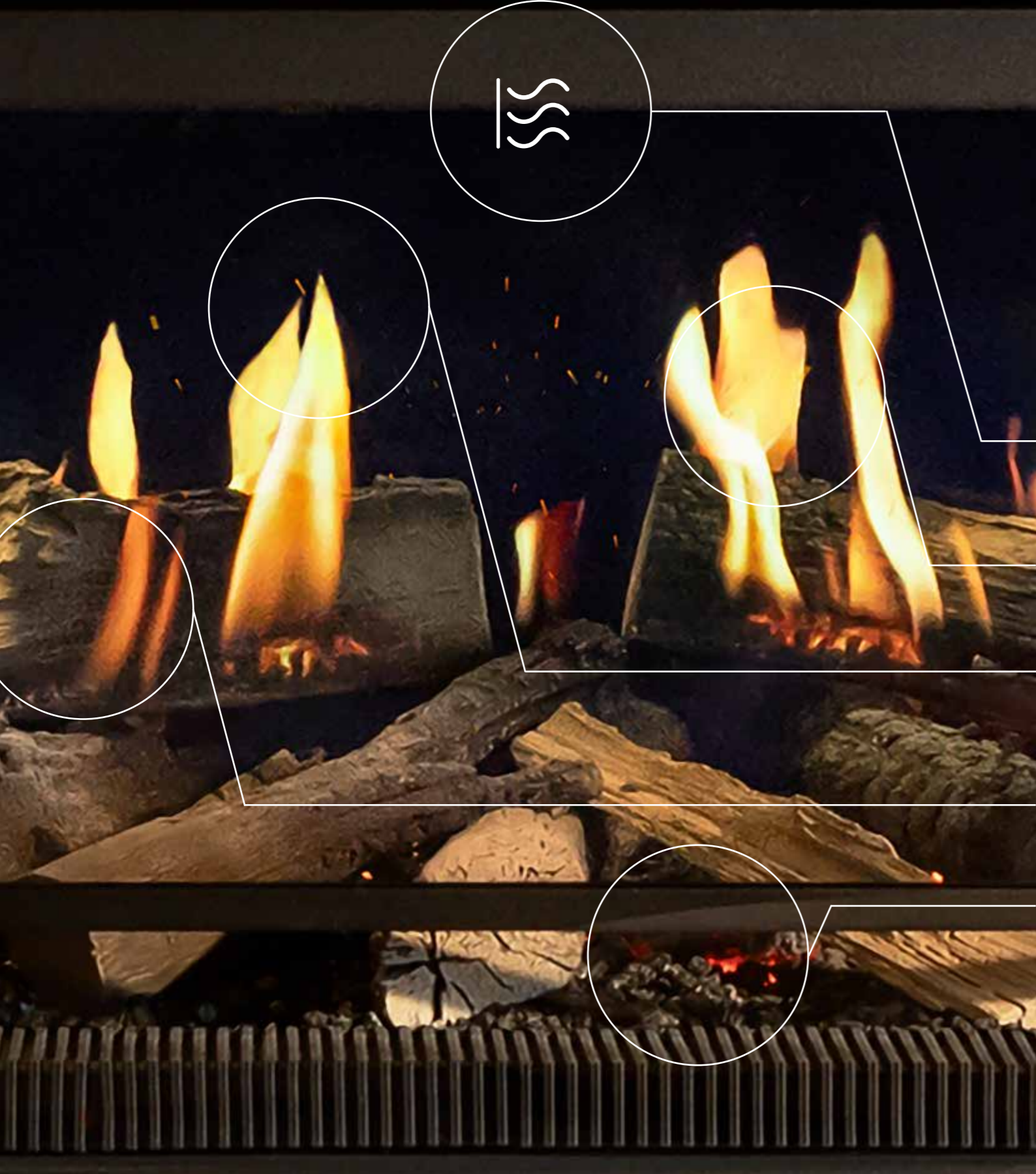
The Kalfire E-one stands for freedom. It literally "stands" free, without the need for any flue or gas connections, and without any environmental or building constraints. A world of possibilities emerges as the Kalfire E-one can be installed in every type of interior, for example, in a home, restaurant, hotel or office building.

Create your own fire

A seamless integration of the surround and fire lends to the minimalistic design of the Kalfire E-one. A wide range of materials can be used to create any desired design. The choice of materials, and design possibilities to work with are endless. Even the fire experience can be personalised by choosing between the Single or Dual HD Flame Technology (single or double flame projection) and a flat or design bottom plate, with its modern elegant lining.

EASE OF USE





Kalfire E-one 100F with Dual HD Flame technology and design bottom plate.

Ultra realistic fire



Atmos Heating

The specially developed Atmos Heating element provides a pleasant atmospheric warmth, contributing to the ultra-realistic fire experience. Available as an option for the Kalfire E-one 100F.



Flame Tones

Create your own flame image by choosing between three flame colours created by Kalfire and adjust the flame intensity as desired.



Adjustable Flame Height

The flame height is adjustable from positions 1 to 5. The 6th position is the Flame Shuffle mode. In Flame Shuffle mode, dynamic flames are created at the touch of a button.



Atmos Lighting

Atmos Lighting projects true shadow effects on the wood-effect ceramic logs, enhancing the ultra-realistic fire experience. The intensity is adjustable from positions 1 to 5. The 6th position is the Atmos Lighting Shuffle mode. The Atmos Lighting Shuffle mode creates a dynamic flicker effect within the interior.



Hybrid LED E

The Hybrid LED E ember bed simulates a real glowing bed of a fire. The intensity is adjustable from positions 1 to 5. The 6th position is the Hybrid LED E Shuffle mode which creates a dynamic glowing effect at the bottom of the logs.



Kalfire Sound

Choose between the full-bodied crackling sound of pine wood or the calmer and relaxing sound of beech wood. The sound of burning wood in combination with lifelike sparks enable a true sensory experience. The volume of Kalfire Sound can be adjusted between positions 0 and 5.



Anti-Reflect Function

In the Anti-Reflect stand-by function, the interior of the fireplace is attractively illuminated. Even without the fire alight, you can still have a beautiful view of the logs and interior.





Build-in model

The Kalfire E-one 100F is the build-in model from the Kalfire E-one series. Thanks to the clean lines and compact dimensions, this model is ideally suited for installation into bespoke furniture such as a cabinet wall in a living room, restaurant or hotel.

The generous glass surface of 100cm x 37cm ensures an optimal view of the fire and the realistic ceramic wood-effect logs. With the adjustable atmospherically lit interior of the Kalfire E-one, the fireplace becomes an eye-catching focal point in every interior, even when the fireplace is switched off. The build-in model has the additional option of being equipped with the Atmos Heating element.

Glass size



Kalfire E-one 100F





KALFIRE E-one 100F





Freestanding model

The freestanding model, the Kalfire E-one 100F *FR* has an all-round clean and sleek steel casing on the outside and therefore fits effortlessly into any type of interior, from modern to classical, and from rural to urban. The Kalfire E-one 100F *FR* is easy to install and move, which makes it possible to continue to enjoy the fireplace even after re-decorating, renovating or even moving to a new place.

Just as the build-in model, there are two choices for the interior of the Kalfire E-one 100F *FR*, the flat or design bottom, and the option of Single or Dual HD Flame Technology. This model can be optionally extended with a decorative black flue pipe.

Glass size



Kalfire E-one 100F *FR*



pages 6 / 8

Build-in model

Kalfire E-one 100F

• • • • •

1000 367

14 17 101 2000 (2 kW)
56**

page 10

Freestanding model

Kalfire E-one 100F FR

• • • • •

1000 367

14 17 101
56**

Flame picture

Single HD Flame technology
Dual HD Flame technology

Bottom plate

flat
design

Heating

Atmos Heating

Control

E-one remote

Decorative flue Ø150 mm - black

Glass sizes

width (mm)
height (mm)

Energy consumption per operation mode

stand-by mode (W)
stand-by mode, incl. Anti-Reflect Function (W)
full operating mode*, excl. Atmos Heating (W)
full operating mode*, incl. Atmos Heating (W)



*full operating mode: Dual HD Flame technology, hybrid LED E, Kalfire Sound
** full operating mode: Single HD Flame technology, hybrid LED E, Kalfire Sound

Product overview



Bottom plate: design



Bottom plate: flat



Single HD Flame technology



Dual HD Flame technology



Safety

The Kalfire E-one electric fireplace is a safe choice. There is no need for a gas connection or a flue system for the fumes. Furthermore, the Kalfire E-one does not emit direct heat and is therefore safe for humans and animals, even for the littlest ones. Everyone can experience a connection through the fire, and gather freely around the fireplace.



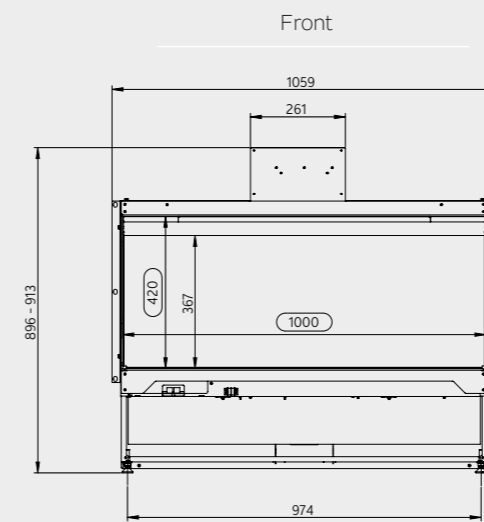
Ease of use

The Kalfire E-one is E-Ready. Simply plug the fireplace into the socket and set the fire alight with one simple press of a button. The Kalfire E-one is operated with the Kalfire E-one remote; a handy and ergonomic remote through which a completely personal fire experience can be created: from crackling sounds, adjustable flames, intensity of the glowing ember bed to the lighting in the interior of the Kalfire E-one. The perfect fire experience is at your fingertips.

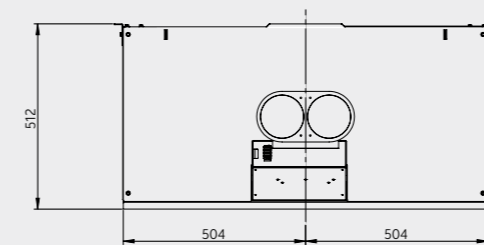


E-one remote

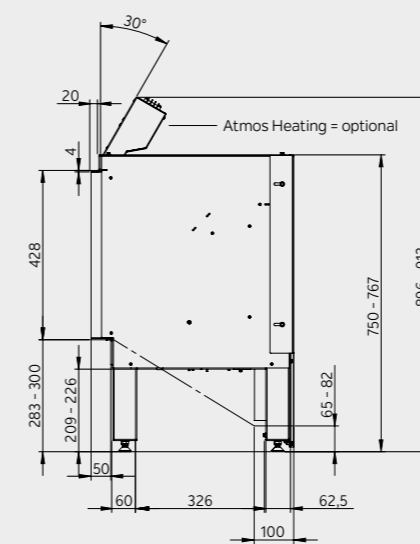
Kalfire E-one 100F



Top

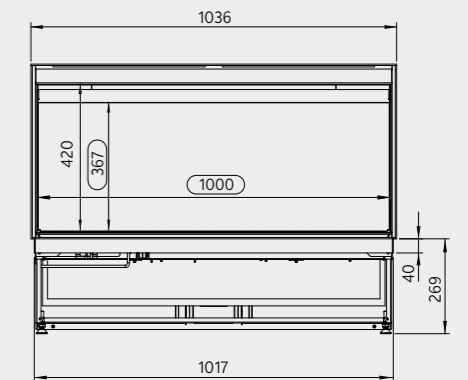


Side

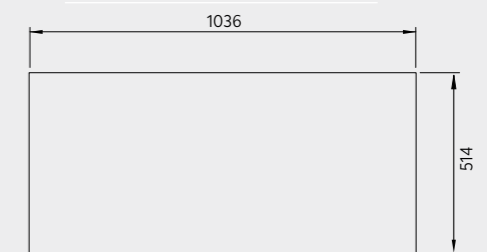


Kalfire E-one 100F *FR*

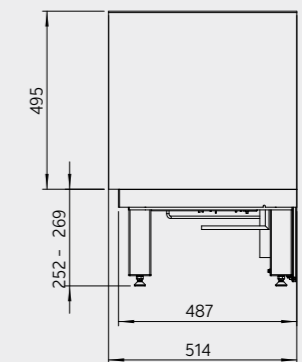
Front



Top



Side



KALFIRE
FIREPLACES

[KALFIRE.COM/E-ONE](https://www.kalfire.com/e-one)

Geloërveldweg 21
5951 DH Belfeld

info@kalfire.com
[KALFIRE.COM](https://www.kalfire.com)