



1. Models and dimensions
2. General technical data
3. Controls
4. Layout diagram

AFIRE WATER ORIGINAL

Why you should choose an ecological ventless fireplace with no constraints?

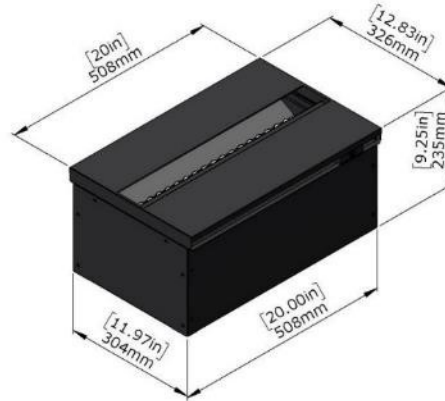
With the **cold flame water vapor electric fireplace** AFIRE WATER ORIGINAL, fire at home becomes completely safe. The ultrafine water vapor flames are cold and are real. You can now install a modern and stylish water vapor electric fireplace absolutely anywhere: in a city home, an apartment in a building, a loft, etc. This urban decorative fire space requires no duct. It's a 3D insert the creates no humidity or condensation. We're really talking about a smart, ecological fireplace that runs on tap water.

- Inserts 50 – 100 cm | 20 – 40 in
- Remote control – Button on the device
- Contact for smart-home applications
 - Adjust flame height and speed
 - Manual filling and draining



Models & dimensions

AWO 20-50



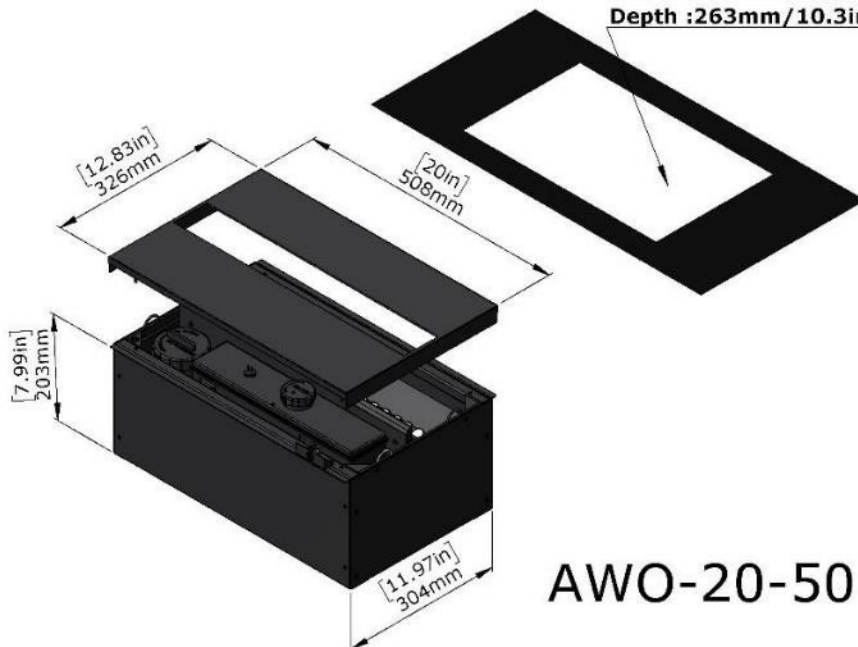
AWO-20-50



Housing

Housing

Length: 515mm / 20.2inch
width : 314mm / 12.4inch
Depth : 263mm / 10.3inch minimum



AWO-20-50



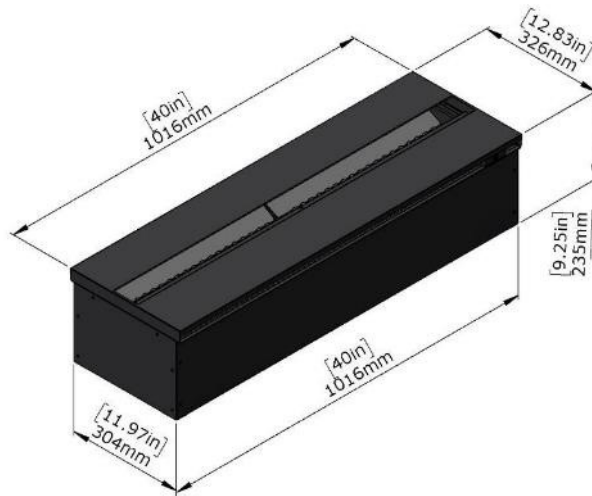
Dimensions: 508 / 326 / 235 mm – 20 / 12,83 / 9,25 in – Weight: 11 kg (24,25 Lbs)

Housing: 515 / 314 mm – 20,2 / 12,4 in - Minimum depth: 263 mm / 10,3 in

Tank capacity: 2 L (0,52 Gallon) - Tank life: 20 h – Power: 38 W

TECHNICAL DATA AFIRE WATER ORIGINAL

AWO 40-100



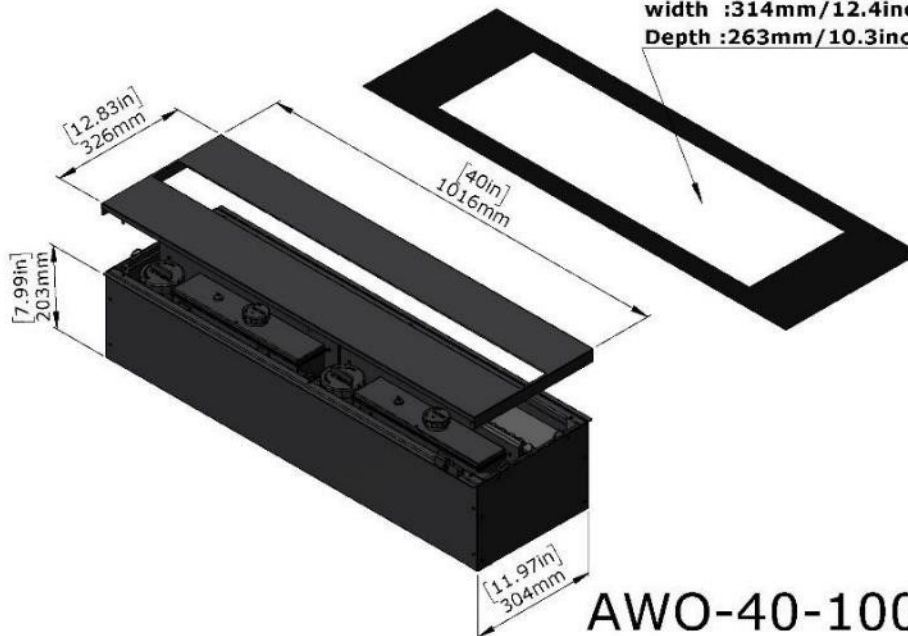
AWO-40-100



Housing

Housing

Length: 1022mm / 40.2inch
width : 314mm / 12.4inch
Depth : 263mm / 10.3inch minimum



AWO-40-100



Dimensions: 1016 / 326 / 235 mm – 40 / 12,83 / 9,25 in – Weight: 22 kg (48,5 Lbs)

Housing: 515 / 314 mm – 20,2 / 12,4 in - Minimum depth: 263 mm / 10,3 in

Tank capacity: 4 L (1,05 Gallon) - Tank life: 20 h – Power: 76 W

General technical data



Installation

Simple installation with no ventilation grates
No evacuation duct



Runs on tap water

Manual filling and draining

No need to buy fuel!



Safety 100%

Cold water vapor flames! No burning gas

Devices run on 24V (100-240V | 50-60 Hz transformer)



Norms & patents

Products comply with safety standards: CE (Europe), FCC (USA), IC (Canada).
AFIRE WATER System patents pending



Smart controls

Remote control - Dry contact for home automation
On/off button

TECHNICAL DATA AFIRE WATER ORIGINAL



A. Installation

The system comes with a 100/240V (50-60 Hz) – 24V adapter. Just plug in the system and insert it into its housing. Provided with the connector depending on your country



B. How to fill the tank

You can use tap water to fill the tank. It's important that the water isn't too hard. In this case, you can use a water softener or use bottled water. For AFIRE WATER ORIGINAL models, just lift the top plate, open the tank cap, and fill it up.

No need to buy fuel!